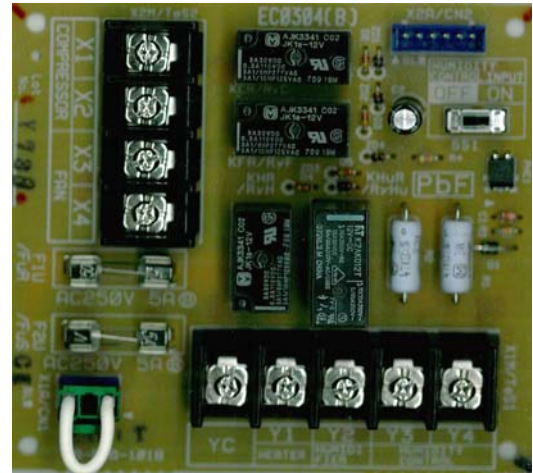


Job Name:	Adapter: <input type="checkbox"/> KRP1B71 <input type="checkbox"/> KRP1B71-D <input type="checkbox"/> KRP1B72
Purchaser:	Installation Kit: <input type="checkbox"/> KRP1B93 <input type="checkbox"/> KRP1B101 <input type="checkbox"/> KRP1B98
Engineer:	Location:
Submitted To:	For: <input type="checkbox"/> Reference <input type="checkbox"/> Approval <input type="checkbox"/> Construction
Submitted By:	Date:
Unit Designation: Schedule #:	Model No.:

FEATURES / BENEFITS

- Applied to individual VRV indoor units to facilitate local interlock of external devices including ventilators, isolation dampers and auxiliary heating apparatus.
- Normally open dry contacts provide signaling at **HEATING THERMO ON¹**. Common integration point for humidifier.
- Normally open dry contacts provide signaling at **HEATING THERMO ON¹ -7°F**. **HEATING THERMO ON -1°F** control basis only available during heat pump lockout mode.
- Normally open dry contacts close at **HEATING THERMO ON¹** or **COOLING THERMO ON¹**. Common integration point for external ventilators
- Normally open dry contacts close during indoor unit fan operation. Common integration point for make up air fans or isolation dampers.



KRP1B Model Application

FXSQ, FXMQ, FXHQ, FXNQ, FXLQ, FHQ	KRP1B71
FXDQ	KRP1B71-D
FXFQ, FXZQ, FCQ	KRP1B72
FXAQ	Not Available

Installation Kit Requirements

FXFQ, SkyAir FCQ	KRP1B98 Installation Box
FXHQ, SkyAir FHQ	KRP1C93 Installation Box
FXDQ, FXZQ	KRP1B101 Installation Box

Power Requirements

PCB Power Supply	Provided by host indoor unit
Control Circuit Power Supply	External – Provided by others

Contact Specifications

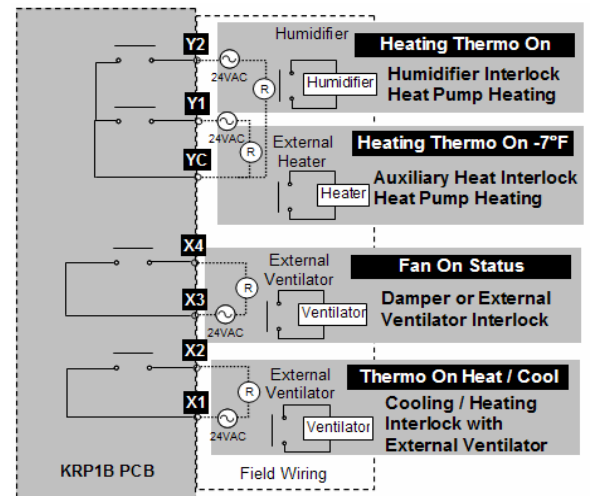
YC-Y1 Allowable Current	0.1 – 1A at 24VAC
YC-Y2 Allowable Current	0.1 – 1A at 24VAC
X1-X2 Allowable Current	0.1 – 1A at 24VAC
X3-X4 Allowable Current	0.1 – 1A at 24VAC

PCB Connections

YC-Y1	Normally open contact closes at Heating Thermo ON -7°F
YC-Y2	Normally open contact closes at Heating Thermo ON
Y3-Y4	NOT USED
X1-X2	Normally open contact closes at Heating / Cooling Thermo ON
X3-X4	Normally open contact closes during indoor unit fan operation
X2A/CN2	To X16A on indoor unit PCB with supplied wiring harness

1. **THERMO ON** – Indicates that a call for heating or cooling capacity is in effect by the host VRV indoor unit.

Wiring Schematic



Application Notes

1. Only low voltage pilot circuits should be switched through the KRP1B series wiring adapter.
2. For 1°F control basis of auxiliary heating apparatus from YC-Y1, it is necessary to engage heat pump lockout. Please consult Daikin AC for this application.
3. X1-X2 can be optionally configured as Operation ON/OFF or Alarm ON/OFF through indoor unit field settings.